

Scientifical Mechanism of "Prophecy" by Paranormality. '09/12/20,25;'17/6/9,10.

Prophecy'(revelation)by paranormal ability is real,of which validity is explained by **almighty** of vacuum space the other world due to the **logical contradiction realization**.

While some fish can communicate by **static electrical field**,of which ancient ability is left also mankind as **telepathy** due to remote realization of static electrical field by **charge density wave propagation**.It is standard classical electromagnetism . "Prophecy" in unprecedented emergent era of now must be regarded as the most precious and the final warning.

[0]:The abnormality of zero world or vacuum one(an elementary intuition):

<on the contrary,a nothing world is simultaneously also a complete fullness !!>

$$0=+1-1=+1-1+2-2=(+1-1)+(2-2)+(3-3)+\dots$$

The left term is zero of nothing,while the right terms are **full natural numbers set**.It could be generalized full real numbers of set $\{0=+a-a|a \text{ is real number}\}$.Summary to tell,our vacuum world of empty space is just such structure of **$\{0=+a-a \parallel +a \text{ is any matter,while } -a \text{ is the anti(negative)-matter}\}$** .

Vacuum Polarization: $0 \rightarrow \{(+a) \leftarrow G \rightarrow (-a)\} \rightarrow \{(+a) \rightarrow G \leftarrow (-a)\} \rightarrow 0 \rightarrow \dots$

Hereupon,it is world widely admitted that a physical vacuum could become simultaneous creating **positive elementary particle** and the pair **negative one** which has symmetric physical value(but except the positive energy).Being of the pair particle is called **Vacuum Polarization(or Dipole Ghost)**.Both positive and negative particle energy are canceled with **negative energy of gravity** one=G.Thus complete cancellation is done.

Then note vacuum polarization(**dipole ghost**) is not only for elementary particle phenomena, but also for **any compound matter** of M^+ and the negative pair of M^- as the dipole ghost. This marvelous fact was found due to Fadeev-Popov Ghost reaction in General Gauge Theory.

<http://www.777true.net/Energy-Creation-Process-from-QED-to-QGD.pdf>

Also see super dipole in **[2]**(6) in Proof on God.

<http://www.777true.net/Proof-on-God.pdf>

A vacuum world is filled by any possible form of matter with the symmetric antimatter pair $\{0 = M^+ - M^-\}$. Especially note that any possible form(situation,mode,stage) could be possible. It's just an **almighty world**. In the other word,a vacuum world(**the other world**) is one where anything could be !!.A prophecy is due to a **communication between this world and the other almighty world**.At first,there happen message transfer from holy revelator and ghost messenger in the other almighty world.Then ghost message is transferred to messenger (**prophecy**)in this secular world by **telepathy**. This is not proof,but a hypothesis by author.

[1] : **Scientific Validity of Prophecy the Elementary Introduction.**

Physical vacuum world is not mere an empty, but on the contrary, those are full filled with everything as was introduced in [0] : Now we show you more validity to confirm.

(1) **non-contradiction.**

A contradiction never **realize** in our visible material world. A merchant say "*this spear can break through any shields, and this shield can block any spears*". Then a passerger asked the merchant "If you try to break thorough the shield with the spear ,what would happen ?" ,....

Simultaneous realization of affirmative proposition $\equiv Q$ (if cause A, then result B) and the negative one $\equiv \text{not } Q$ is impossible in visible material world. You never could see the W images of affirmative and negative realization. It is origin of **causality**, because unique result by unique cause $Q \equiv (\text{cause } A \rightarrow \text{result } B)$ becomes **true (realization observable)**.

(2) **negation of material world is vacuum world (nothing is contradictory !):**

$0 = +a - a$. Left side is nothing, then what is right side?. Not nothing?!

Left is entirely nothing, while right has simultaneously cash "a" and debt "a".

Thus nothing is simultaneously nothing and not nothing. It is **contradictional** !.

☞ : You never can tell the most large natural number M, which is infinite. On the other hand, consider $Z = 1/M$. Z is smaller than any definite rational number. Thus Z can't be any positive number, but except real number zero 0 (nothing). Then M is indefinite. So real number 0 must be also simultaneously indefinite. Nothing must be indefinite. It is also contradictional.

(3) **Contradiction enables entirely all realizations = **almighty <logic theorem>**.**

Q and (not Q) is everything.

Once a contradiction could be, then

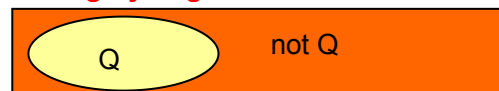
anything becomes true (realizable). It is breaking down of causaltic law.

This is **the supreme almighty world, but invisible except miracle**.

☞ : This is the fundamental theorem in standard logic <consult with logic texts>.

See Appendix in **Foot note 1**).

<http://www.777true.net/Proof-on-God.pdf>



(4) Extremely summary to tell, non contradictional material world where both negative and affirmative visible phenomena never simultaneously be realized is called causalitical (**physical law**), while non material world (vacuum world) is contradictional, where anything become possible (almighty world without law).

That is, **the other world** is where anything such as past history and future onecould be realized. Then extremely grievous events would be informed to person the prophet.

Twin's **telepathy** is key concepts.

You should remind **resonance phenomena** between receiver and transmitter.

Sympathy is mind resonance among mankind.

☞: Introduction of Al Qur'an is "owing to the name of entirely merciful Allah".

☞: <<http://www.777true.net/Jucelino.pdf>>

☞: Universe came out from nothing. Because entirely nothing is also entirely **nothing of physical law**. Then everything is allowable by **almighty being**.

[2] : **Telepathy(communication between this world and this one by CDW)**

At now, following is a hypothesis by author, however, many experiences support the fact.

A fundamental may be **cell** in life, which is a kind of **static electrical circuit** communicating by electrostatic signal. Static electricity is due to **electrical charge** generated in bio chemical reaction.. Alternate electrical charge density ρ radiates longitudinal electrical **charge density wave(CDW)**. Thus, **CDW is remote static electricity**. Following is Maxwell Wave Equation.

$$\square \phi = - \rho / \epsilon . \text{ <Scalar Wave> . } \rightarrow \square \rho = \text{div.grad } \rho . \text{ <CDW>}$$

$$\square \mathbf{A} = - \mu \mathbf{j} . \text{ <ordinal electromagnetic wave radiated by current=j utilized in portable phone>}$$

<http://www.777true.net/BWG.pdf>

(1) **Reading characters on paper in ear hole <role of static electricity in neuron cells>**.

Once, in TV, I encountered children who could read characters on paper in **ear hole**. She said *"by conscious concentration, spot lighting image is to appear in her forehead. By scanning the spot light, she can read words on paper in a ear hole. Also in China, boy with the same ability is told having appeared in 1979 四川省.*

Then note **ear** in the evolution process corresponds to **lateral line neurons in fish**.

<https://www.britannica.com/science/lateral-line-system>

(2) **Electrolocation** = Electric eel can see even in muddy river by so called **lateral neurons**.

It is a kind of radar by sensing displacement of static electric field line.

(3) **Design features for electric communication.**

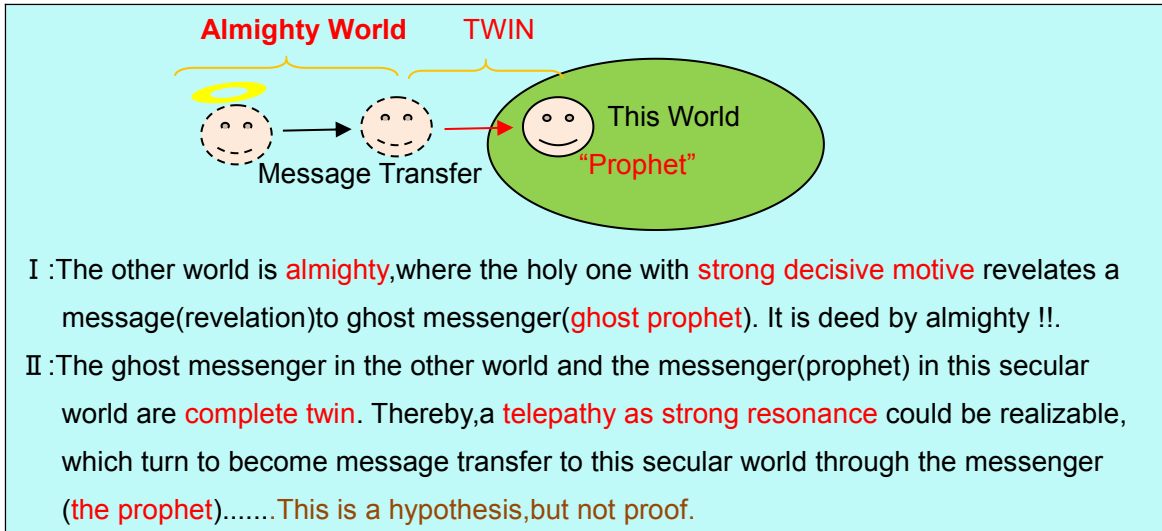
<https://www.ncbi.nlm.nih.gov/pubmed/10210663>

[Some fish can communicate by static electric signal.](#)

Thereby remote communication could be realizable by **CDW** transmitting and receiving.

In fact, there are many actual reports on telepathy in twins. It may be **resonance** between **similar electrical circuit**. Of course, this is not complete proof, but a hypothesis.

[3] : Resonance between this world and the other almighty one by CDW.

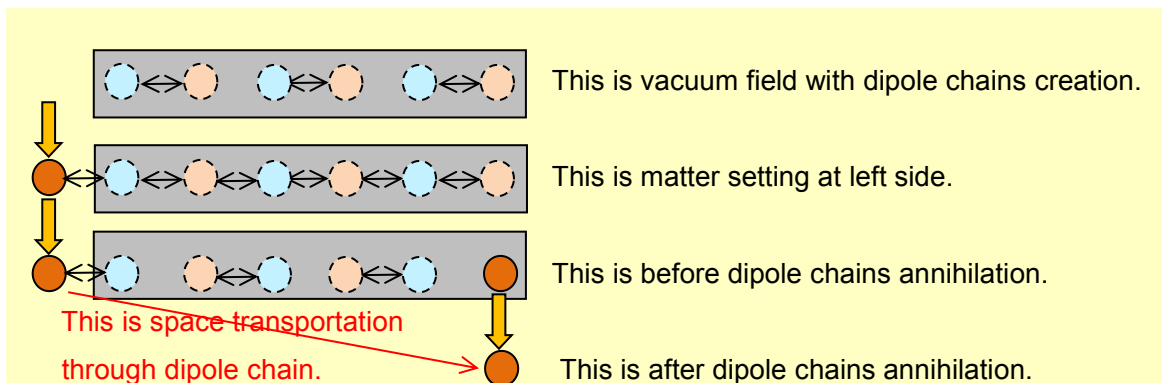


(1) **Changing is successive annihilating now and creating following now.**

Imagine a billiard ball rolling on a table. In classical view, a ball is still a ball as it was. In quantum dynamical view, ball is to be annihilated at here and instantly is to be created at near here. The space movement is perpetual repeating of annihilation and creation. Thus it is continuous in classical view, but **discontinuous** in quantum view.

(2) **matter space translation by dipole ghost chain reaction.**

As was told in [0], vacuum world is filled by any possible form of matter with the symmetric antimatter pair $\{0 = M^+ - M^-\}$. This is also called **vacuum polarization**, or **dipole**. This is also perpetual **vibration** between nothing and pseudo nothing or dipole creation and annihilation. Note \leftrightarrow is **attraction force** of negative energy by gravity.



Thus matter of this world is to **make motion** through dipole chain. It is not classical continuous motion, but **discrete** one in very short time and space. Note creation of dipole chain is **random**, so **micro quantum motion** is described by **probability** (Quantum Mechanics)

(3) What author wish tell you at here is that, in **vacuum field the almighty world**, there are many of ourselves as **ghost**. **Those ghost could be any state possible**. Those state might be same as us in this world, or genius who can prophet. Then how to connect or convert ourselves in this world to at there ?? . Fundamentally, there are two possibility. One is hidden ability of ourselves which can realize connection by something own action. The other is action caused by someone in the other world (revelation by prophecy).

(4) **Frank Condon Principle in Chemical Reaction Process.**

<http://www.777true.net/Best-Ranking-in-Front-line-Physics.pdf>

A **conscious** of us is considered as something reflections in very complicated chemical reaction field process (state) in brain. The process has something task which must be solved (**thinking**). The task is **searching** how to do to accomplish good result in life. It is pre-drilling for coming action (thinking is a cut and try simulation for coming action in **imaging field**).

Frank Condon Principle in chemical reaction indicates that a chemical reaction in **electron cloud transition** is instantaneous, while that of nuclei are very slow motion. The instantly realized stable electron cloud is with **ghost nuclei**. That is, **possible coming future shape of molecule** had already been prepared in **vacuum filed the almighty**. Thus chemical reaction is to go toward at there by something attractive force. The realized molecule shape is usually at least (local ?) **bottom potential** realizing (temporal?) **stability**.

Look on **evolution** of animal or plant, all of they are marvelously fitted with their environment. We could not help, but conclude that all of they are going toward what they wish to become. **Their desired shape is already prepared in vacuum filed the almighty**. Maybe their strong hope is to entirely act to go there (bottom potential realizing **stability**).

In TV, author once encountered a boy with cancer disease, then he was taught to **imagine strong something which can defeat cancer cells in his body. At last, he succeeded to win.*

Naive those with strong belief is to be saved !!.

Hereupon, if **once the other world someone the almighty had prepared such situation**, so called **prophet** selected by the other world would be invited at there to get **message**. This is not proof, but a hypothesis at now by author.

(5) **Astral Projection**

<http://www.crystalinks.com/astral.html>

This is told conscious temporal transportation to ghost space the almighty.

[4] : Apocalyptic Revelations of John, Muhammad and Jucelino.

① The Apocalypse: The symbolic revelation of St John.

In the past, the Apocalypse of the final judgment (**doomsday**) has been variously debated among experts. The kernel is "**sudden realizing**" of the thousand year kingdom of bliss. The kingdom is told to be established when old regime dominant of Satan against Messia would have been destroyed. Satan is often related with number 666 which means incompleteness, or ruin. Then a modern civilization causing own extinction may be said incompleteness of Satan. That is, at least modern humankind after the industrial revolution, they might have become member of Satan group. Remarkable feature of Satan against God is up side down. Facts are often found to be up side down.

<http://en.wikipedia.org/wiki/Book_of_Revelation>

☞ : Heart Sutra's a kernel point is that secular world is **up side down illusion**.

② Satan rebelled against God's command of bowing to Adam <Al Qur'an>

I am higher than them, because you made me from smokeless fire, while Adam were made from clay. Thus Satan was throwned into hell maze for long time. Then note that curious **methane clathrate** is a kind of ice containing dense methane gas and is fired without smoke. Commercial **oil and gas** having realized modern era is considered the evil compound causing climate change crisis (**CCC**) and may be a kind of smokeless fire. Note that

(1) Satan consider himself higher rank <**nobilitism** the hereditary>.

Note that high status person who fear own decline tend to become Satan.

Therefore, for social stability, people must be equal in God.

(2) What Satan dose is often **up side down** <opposer against God, **deceptive** world>.

(3) Satan is **hate group leader** against religious humankind.

He had become hatred against God and his faithful humankind by the banishment.

Bush (connecting UK imperial, ...) entirely satisfies above three conditions. It is told that in USA, there exist two opposing major powers. One is **military-industry complex with CIA**, they connect also with nobilities the hereditary (**imperials**). They organize nationalistic **rightist terrorism**. Their danger and anachronistic ideology consider that nation and the people are being exploited by nobility the dictator due to their eugenic deology (Hoegell(5)). They also tend to think that revolution is more terrible than war defeating <F. Konoe(4)>. The other power is international entrepreneur's group who against former power. However to say so, they usually has been making compromise.

(4) Nothing is making person more cruel than fear of person in crisis of own decline. Japanese emperor Hirohito decided to make war against USA(1941) even though he knew little possibility of win. Then his most fear was domestic **revolution** by spiking out nation people's frustration by withdrawing military force in China.

-Reference-

(5) K. Millegan & A. Sutton, *Fleshing out skull & bones*, Trineday LLC, 2003, USA.

③ **Jucelino Nóbrega da Luz the Great Prophet in Now World:**

His prophecies are not complete, but marvelous for the prediction accuracy. His advent may be a symptom of apocalyptic era of now world. His warning is the most emergent worth for any people in now world. Summary to tell, **humankind had destroyed nature too much to cause own disasters (especially CCC)**. To recover the soundness needs to recover that of humankind's spirit. That is, **peculiar respect for thanks to the great nature**. The time limit of people's awakening is '07/12/31. Too much greedy for material prosperity had caused today and future's many grievous disasters, which has been accelerated due to international competitive capitalism the excess doing. He said notable facts as follows.

(1) Kyoto protocol for mitigation for global warming is of no effective.

It is pointed out also by author <<http://www.777true.net/Temperature2.pdf>>

(2) One of his notable words is that he has been merely telling peoples what world minor wise ruler had already known entirely. Then in other words, it is stupid us who know nothing about own destiny.

(3) ***Global warming is inevitable and 5 billion until 2043 , , may die if nothing is done in time ,and they are hidden from worldwide population .. says Jucelino Luz***
<http://www.jucelinodaluz.com.br/aquecimento-global-inevitavel.htm>

(4) Then important matter is that **we could change our future by our will**.

He strengthen that worth of his prophecies lies in there.

(5) In his almost weekdays night dream, he is to encounter many grievous disasters with his wonder guide. None could be such him who observe tremendous disasters in human history. Thus he has been entirely warning and warning.

(6) Conclusionary to tell, we now stand on situation of entirely wrong. Since a civilization causing own extinction could be said up side down. It is due to the will of world minor wise donimnator who know everything. The key to understand is that revolution is more terrible than war defeating. They consider it better being extinct together with people than losing their established high status and the power <the kernel of Satan>.

-References-

(2)<<http://www.jucelinodaluz.com.br/>>

(3)Mario Enzo,O HOMEN A FRENTE DAS PROFECIAS,2005,Mario Enzo Bellior Jr,Brazill.

菺澤,山川監修訳、未来からの警告,たま出版,2007,東京.

(4)Jucelino,山川訳,未来予知ノート p25,softbank creative,2007,東京.

☞:Now it is told that his publication is nothing except in Brazill and Japan.

④**The 1970s greatest hit songs suggesting grievous apocalypse world.**

Then key is the angel name **Michael** who thrownd down Satan into hell.

(1)**Jumping Jack Flash** by Mick Jager the Roling Stones UK(1969).

It's not a kind of commonsense lyric,but entirely curious **black magic world song** shouting "it's all right,it's gas,gas,gas!!!".The introduction is in serious weather,I was born in cross fire hurricane of driving rain.....

I was schooled with a strap across my **back**.....,I was crowned with a spike right through my head.I'm Jumping Jack Flash.it's gas,.....

The song had foretold death of a member by drowned.

By this song,author could not help associate with abrupt bursting of methan gas at north pole(the crown of earth).You should ask climatologists about it.

Also in UK,Michael.J.Benton wrote WHEN LIFE NEARY DIED(2003).It tells shocking mass extinctions of spieces by methane burp in paleo-climatology researches.

(2)**Save the children** in album What's going on by Marvin Gaye USA(1971).

Who really care?,To save the world in **despair**,There'll come a time the world won't be singing,Flower won't grow,Bell won't be ringing,

Who's willing to try to save the world that is destined to die.

Why could they recognize such outrageous and disastrous future ?,

Underlined phrase is too severe for us now indulged in our responsibility !.

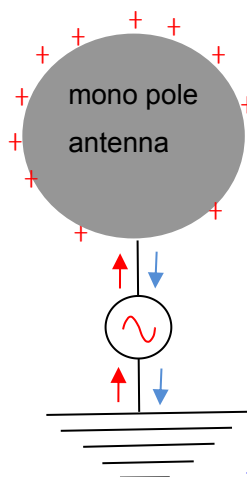
Then note that the famous Rome report warning against the accelerated and destructive global industrialization was issued at (1972). Both of them had been regretfully neglected by stupid us.

(3)Poem"**Vers la Flamme(Toward the Flame,1914)**" by Alexander Nikolayevich Scriabin (1872-1915), <http://jp.youtube.com/watch?v=5_FKKIC1oSw>.

His son was also died by drowned in river(1919).He was engaged in the theosophical society established by Eelena Petrovna Blavatsky.Theosophy discloses being of the **Akashic Records** of human being history from ancient to future.Persön the extraordinary could access the information.They insist the universal brotherhood of humanity with people's equality. Also theosophy seems to be aimed to rescue people by employing full essential knowledge in religions,philosophy and science of all the times.
<<http://en.wikipedia.org/wiki/Theosophy#Music>>.

APPENDIX-1:As for CDW(the radiation needs no energy ?!!!).

Charge Density Wave is radiated by source of **charge density** varying in time.The most curiosity of the radiation is **nothing necessary energy**.While ordinal electromagnetic wave radiated by current density source needs energy as you know by portable phone.



Left fig is so called **capacitor** which absorb **charge** at the conductive surface,at where **CDW** is to be radiated toward exterior.Note a capacitor never consume energy,because alternate discharging is to output energy as same amount of input energy.While radiated CDW itself has positive energy,while it is with **negative energy** due to **attraction force** between positive charge and negative one.That is, $0 = +E - E$. Energy Conservation Law is still alive. Finally the negative could become negative energy of gravity field.

<http://www.777true.net/Energy-Creation-Process-from-QED-to-QGD.pdf>

Precisely to tell,**static electricity** and **the wave-nized one** is different in its mode of space propagation.However effect may be the same,.because it is entirely charge,but not current with magnetism, CDW is entirely nothing component of magnetism.While ordinal electromagnetic wave is with magnetism as is the word-itself.

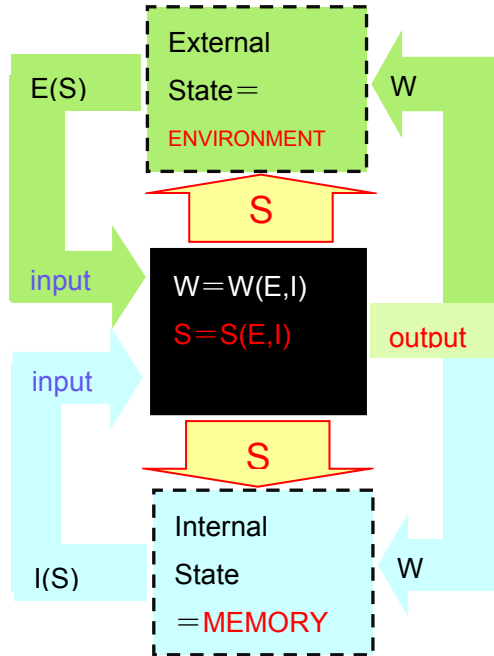
CDW is generated by neuron cell surface, of which is charged by chemical reaction in cell by triggering something stimulus. In the contrary,neuron cell can receive charge signal from exterior to stimulate **signal propagation toward neuron cell network**(brain).It is just **information** for brain. As for energy technology(author's job)by CDW is at here.
<http://www.777true.net/BWG.pdf>

APPENDIX-2:What is CONSCIOUS<How to be good at making solution with light>.

Author is not expert on this problem,so here is his opinion.

(1)**AUTOMATHON:**This model is life in general,which is information flow by lighting.

Note the fundamental key concept is{ read=input,write=output,and search with TASK}.



Input(reading) is observed state of external environment state by scanning.,and that of internal(Memory).

Output(writing on external(action) and internal(memorizing))is function of input from external state and internal one(memory).

Scanning,or Searching with TASK by Light =S is also function of (E,I) and is observing exterior and interior states.It is justly "eye"with Light. This is nothing,but CONSCIOUS. I≡input from internal by addressing S, E≡input from external by addressing S,

(2)To having seen without doubt is to believe(understand),

which is to stop searching(thinking). That right,TV set is called idiot box !.

(3)So long as being doubt,searching(thinking) is going on toward solution.

Doubt may be judgment on something unatisfaction between TASK(this is also in memory) and current input from memory(=imagination as a solution possibility).

Unatisfaction with TASK is a fundamental force to drive searching action.

It is also called desire.

(4)imagination is created memory at now stage by searching(lighting) many memories.

For example,searching{1,+,1}is to yield image{2},where each components of bracket is single memory.Thus searching light is not single,but multiple.Let us imagine pianist's finger motions,which is response(input) from multiple search lights on memory.

*Listen very carefully this marvelous music,author could not help,but consider he may have simultaneously two Independent,but resonating souls of right and left hands.

McCoy Tyner - Echoes of a Friend

<https://www.youtube.com/watch?v=pESgeJejZLg>