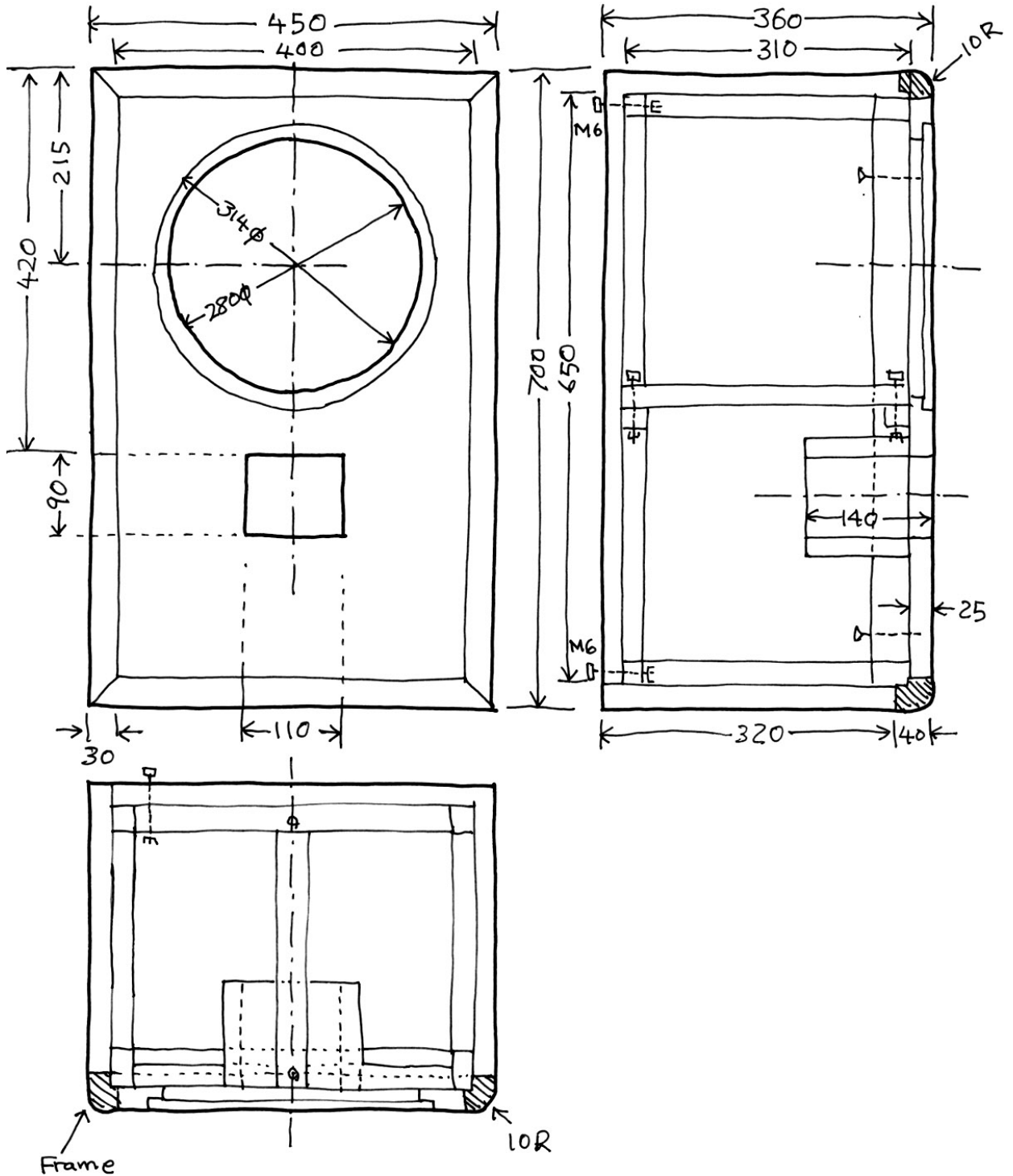


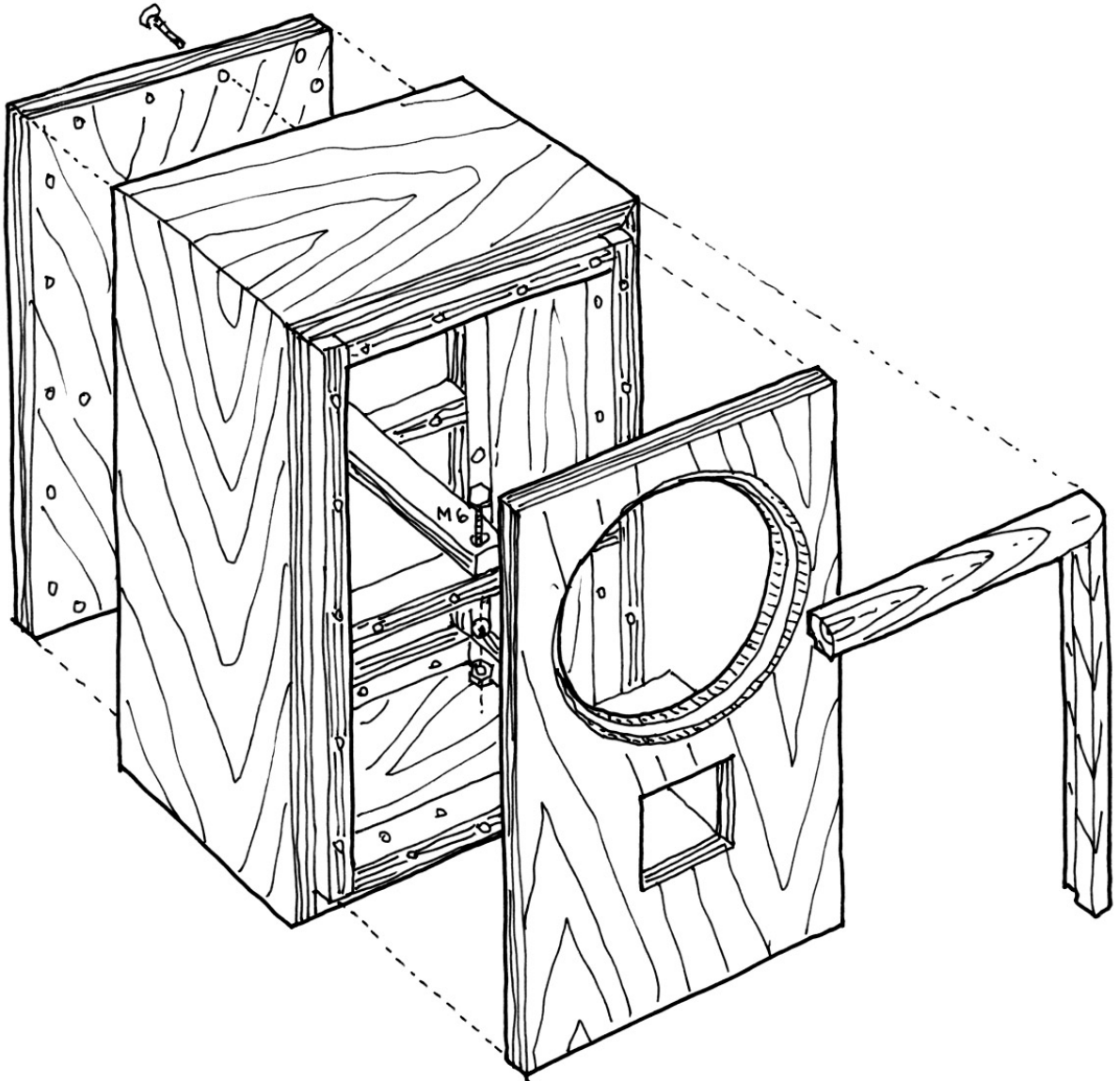
## E-70 Loudspeaker Enclosure Drawing



Unit : mm (Unless otherwise noted)

Driver : Fostex FW-305 or Alpine DDW-F30A

## Assembly Drawing of E-70 Enclosure



Designed by Yuichi Arai (Refer to December 1992 and February 1999 issues of MJ Magazine, Tokyo )