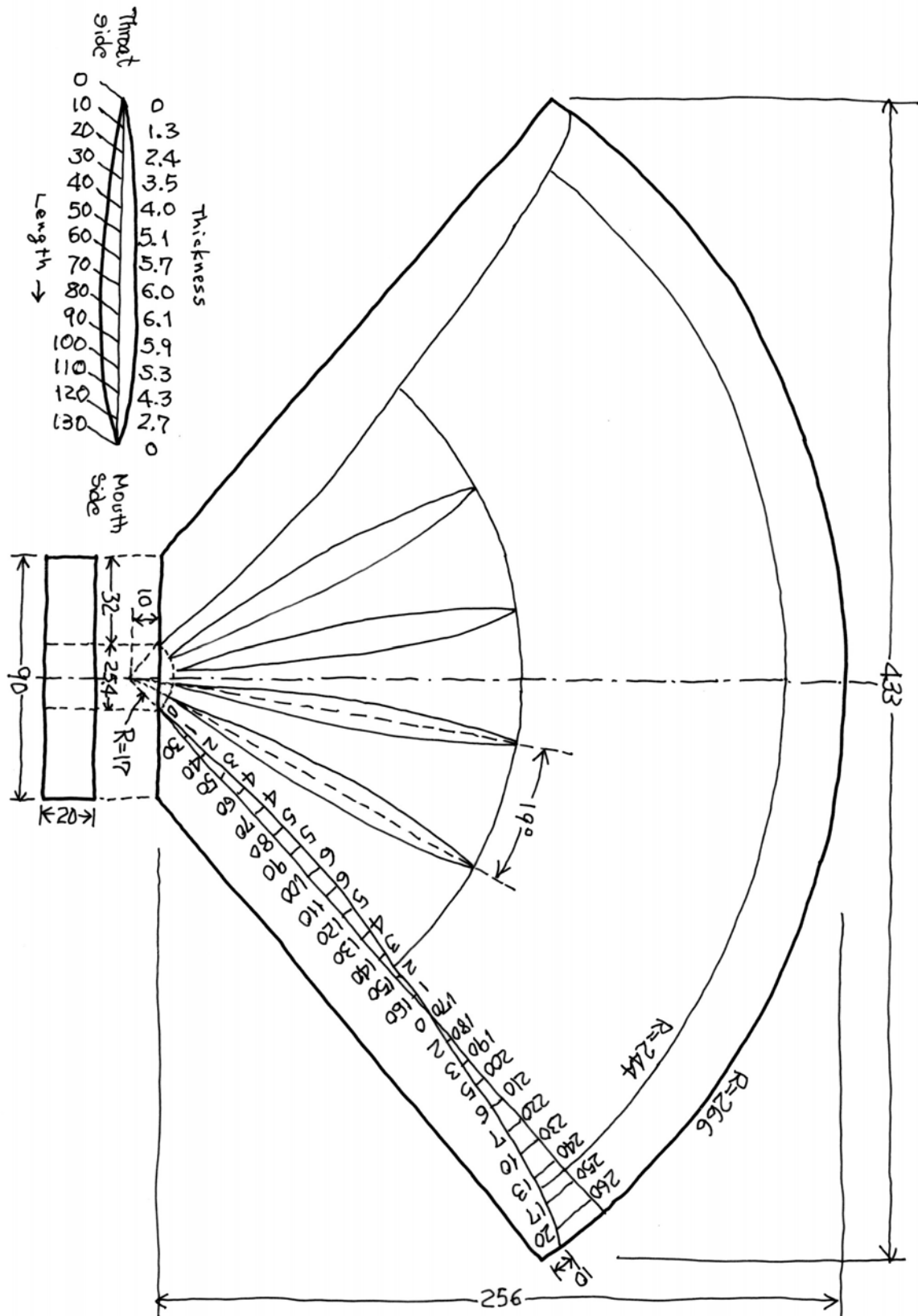
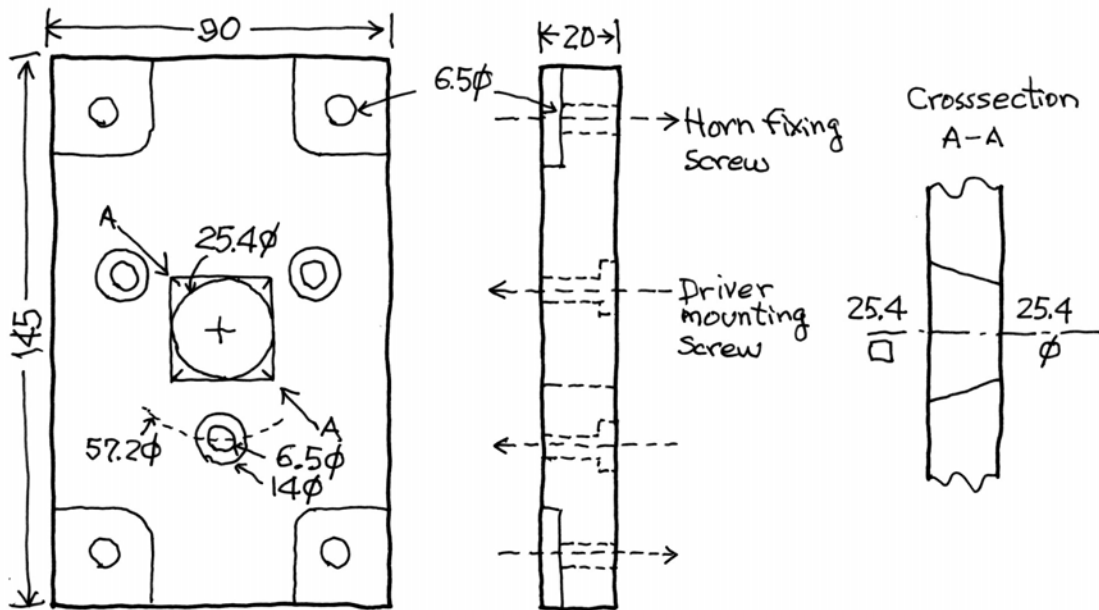
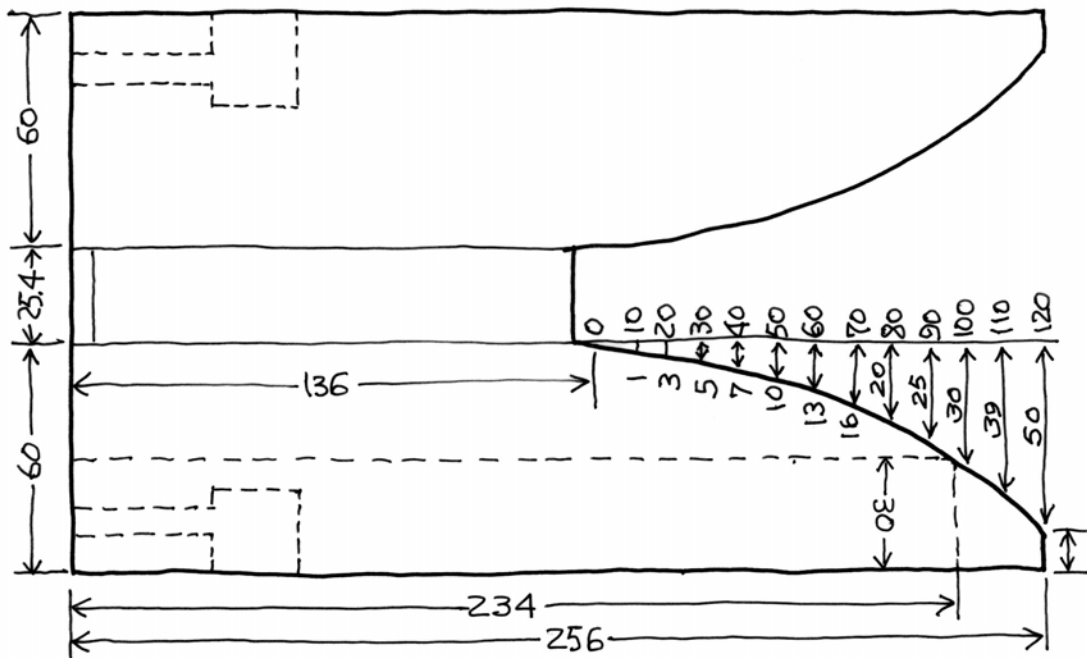


# A-480 Wood Horn Drawing



### Cross section of A-480 Horn



Unit : mm (unless otherwise noted)

Wood Material : a Chinese quince laminated lumber (3.0cm thickness)

Driver : 1 inches throat driver (Pioneer TAD TD-2001 or equivalent drivers)

Designed by Yuichi Arai (Refer to the December 1989 issue of MJ Magazine, Tokyo for details.)