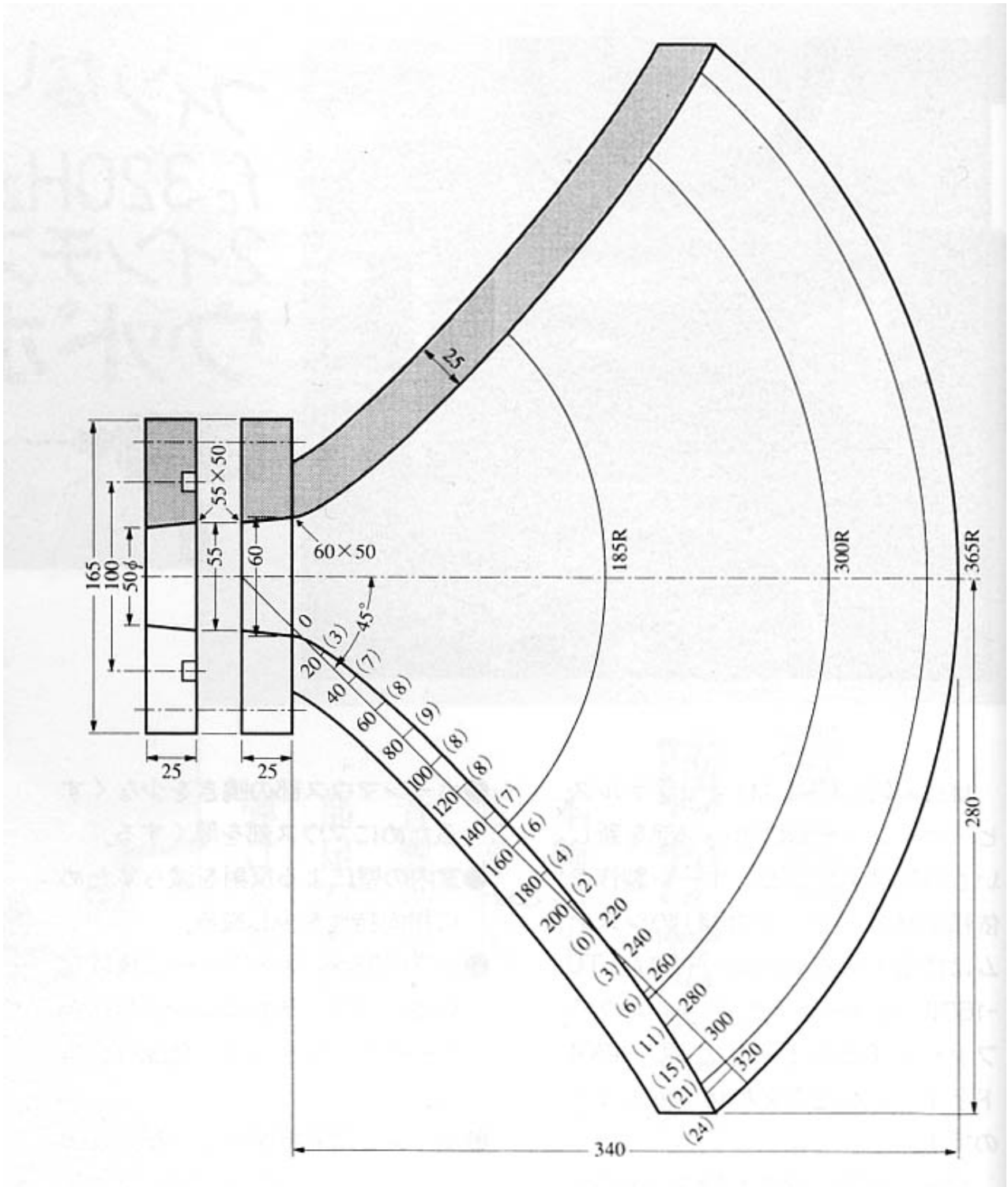
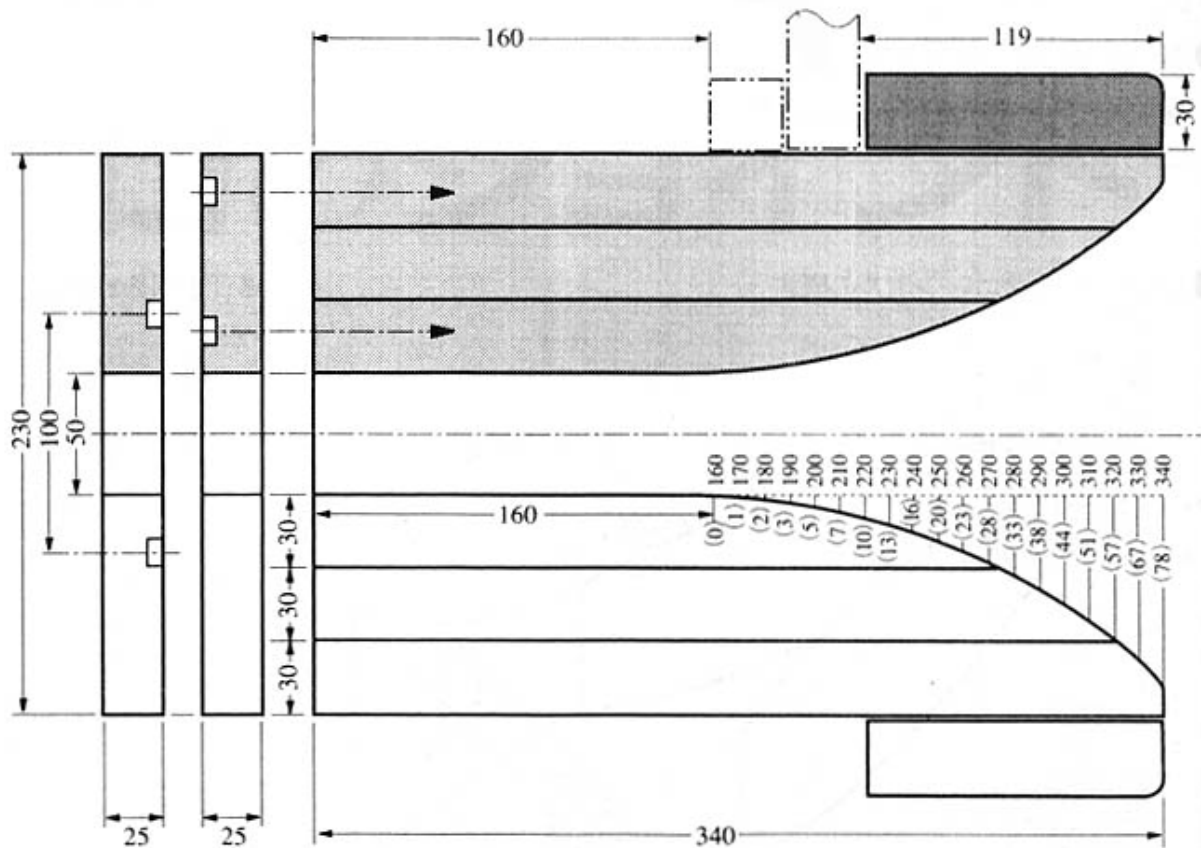


A-290 FL Hyperbolic Wood Horn

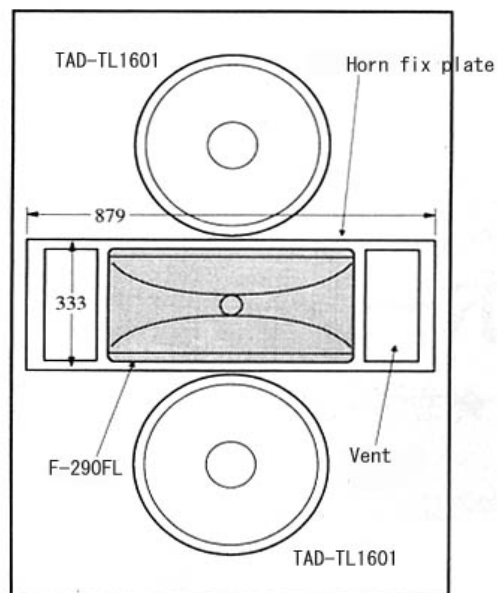


Designed and made by Yuichi Arai
Unit : mm

A-290 FL Hyperbolic Wood Horn



A-290 was mounted as below.



Enclosure was designed and built under MJ authorizations (ref only)
Please refer to the MJ Magazine for the Horn article in detail.