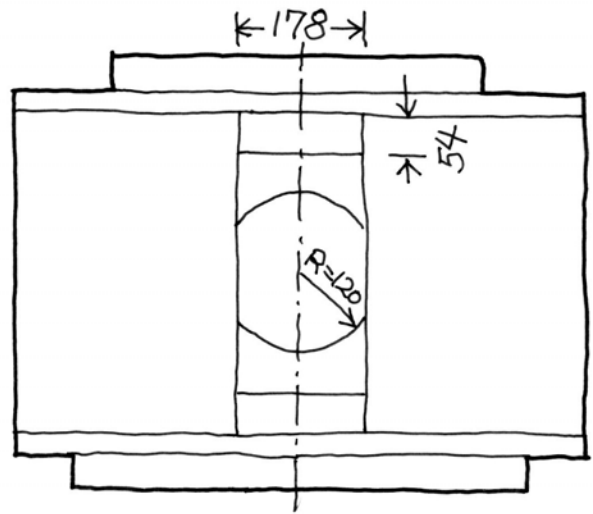
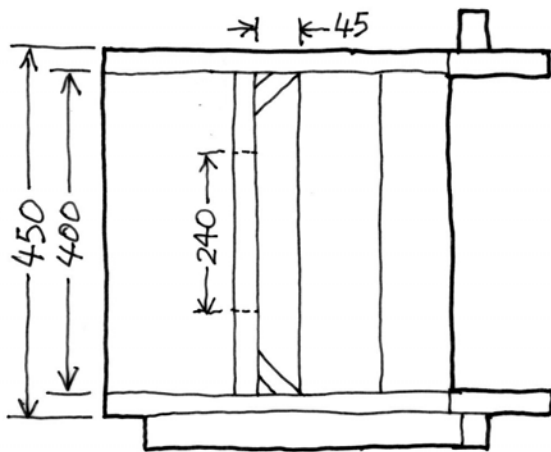
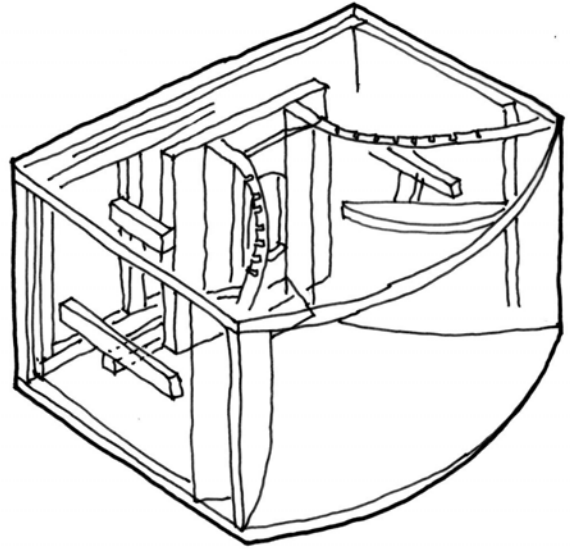
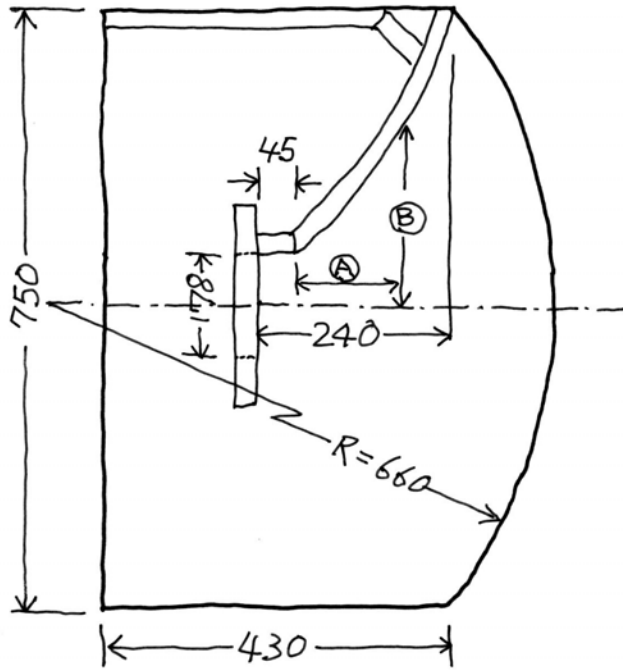


A-190E Mid-bass Horn Drawing



Side wall curve

(A)	(B)
0	89
5	127
10	180
15	245
18.5	375

Unit : mm (unless otherwise noted)

Wood Material : a Cherry plywood (2..5cm thickness)

Driver : 10 inches direct radiator (Electro Voice EWM-10M or equivalent drivers)

Designed by Yuichi Arai (Refer to the January 1986 issue of MJ Magazine, Tokyo for details.)